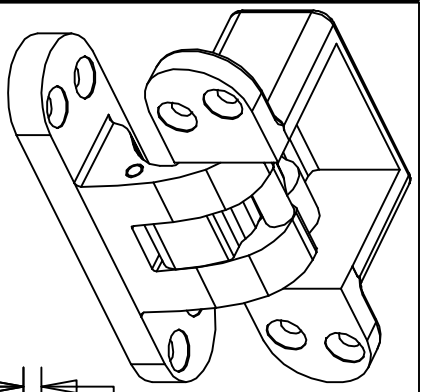
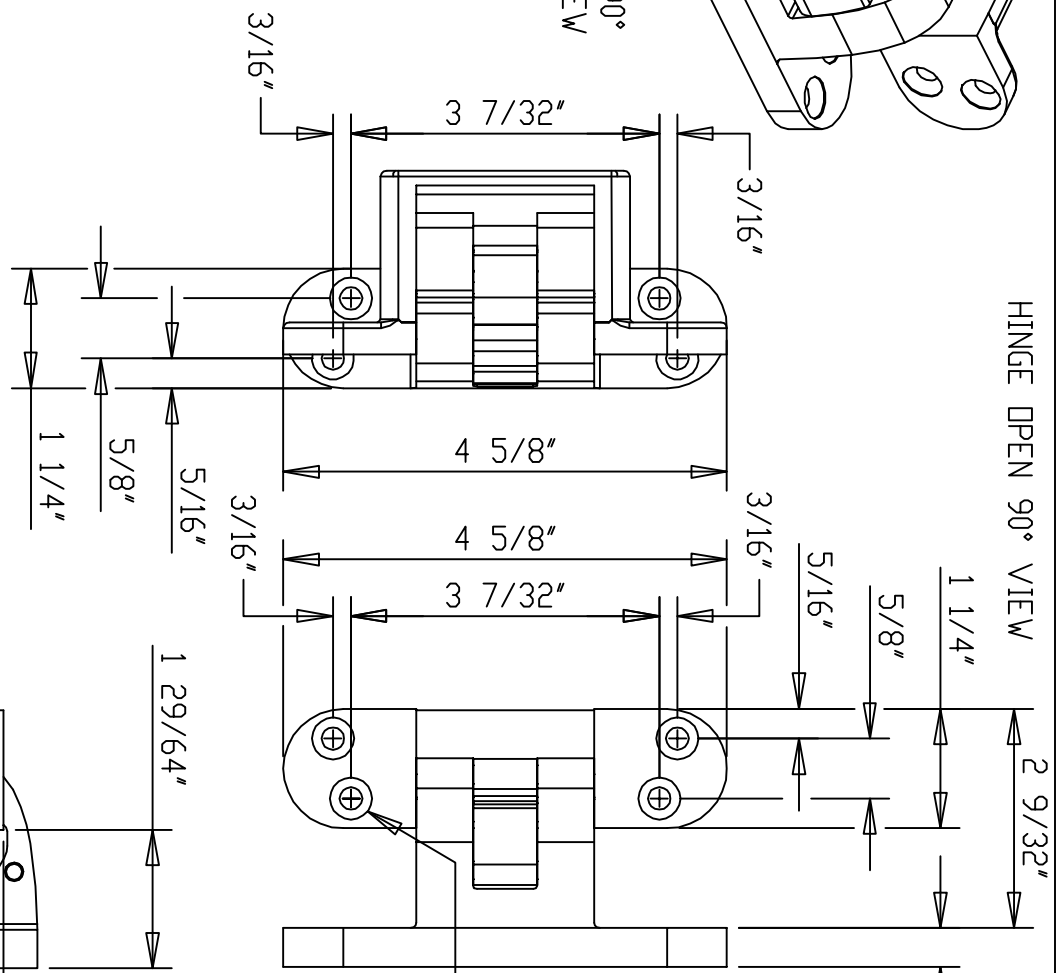


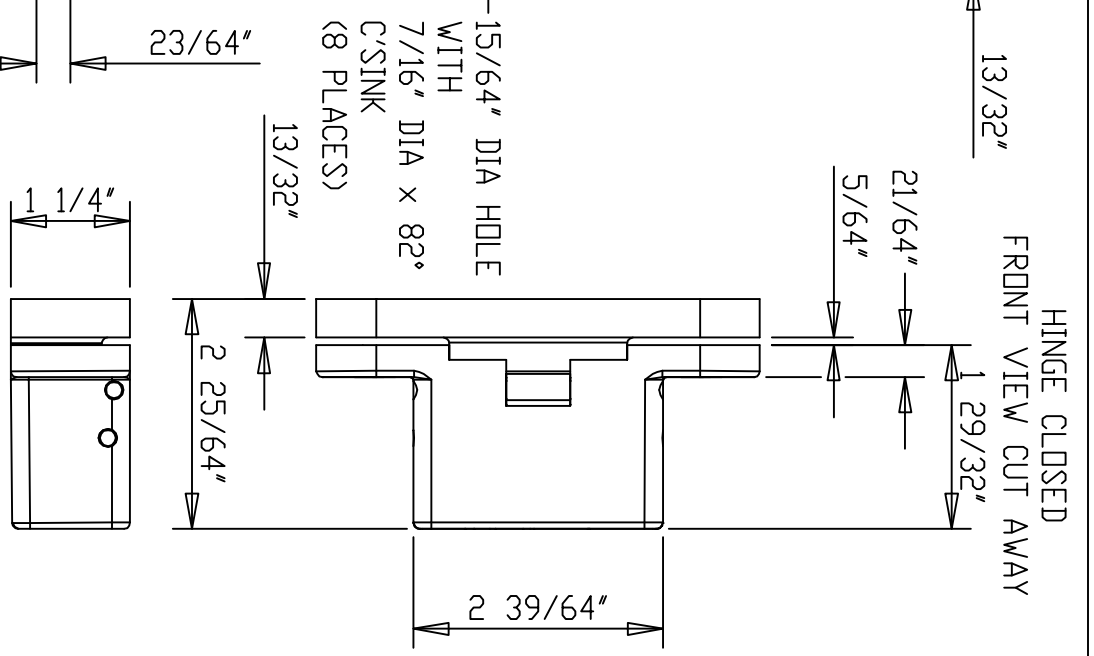
HINGE OPEN 90°  
ISOMETRIC VIEW



HINGE OPEN 90° VIEW

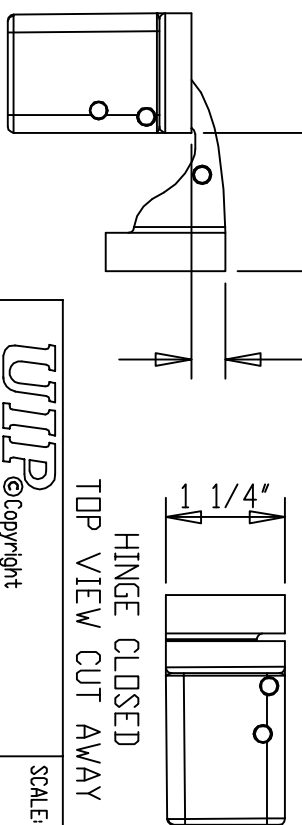


HINGE CLOSED  
FRONT VIEW CUT AWAY

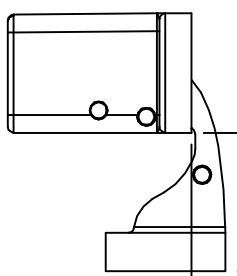


15/64" DIA HOLE  
WITH  
7/16" DIA x 82°  
C'SINK  
(8 PLACES)


HINGE CLOSED  
TOP VIEW CUT AWAY



HINGE OPEN 180°  
TOP VIEW CUT AWAY



DOOR OPEN 92° MAX  
MIN. MATERIAL THICKNESS IS 1 3/4"  
DO NOT SCALE DRAWING  
ALL DIMENSIONS ARE IN INCH  
DOOR CLEARANCE REDUCES TO 1/64" WHILE CLOSING

 ©Copyright Universal Industrial Products, Inc. One Coreway Drive Florence, Ohio 43594-0628		SCALE: 1/2 = 1
		DRAWN BY: LHH
HINGE TEMPLATE		DATE: 12/23/19
SDSS INVISIBLE HINGE		DRAWING # 518