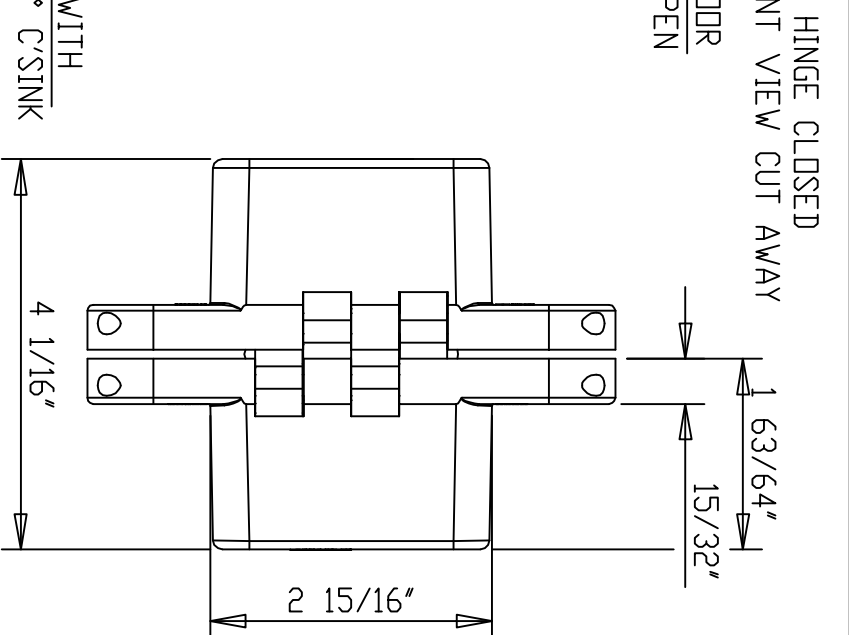
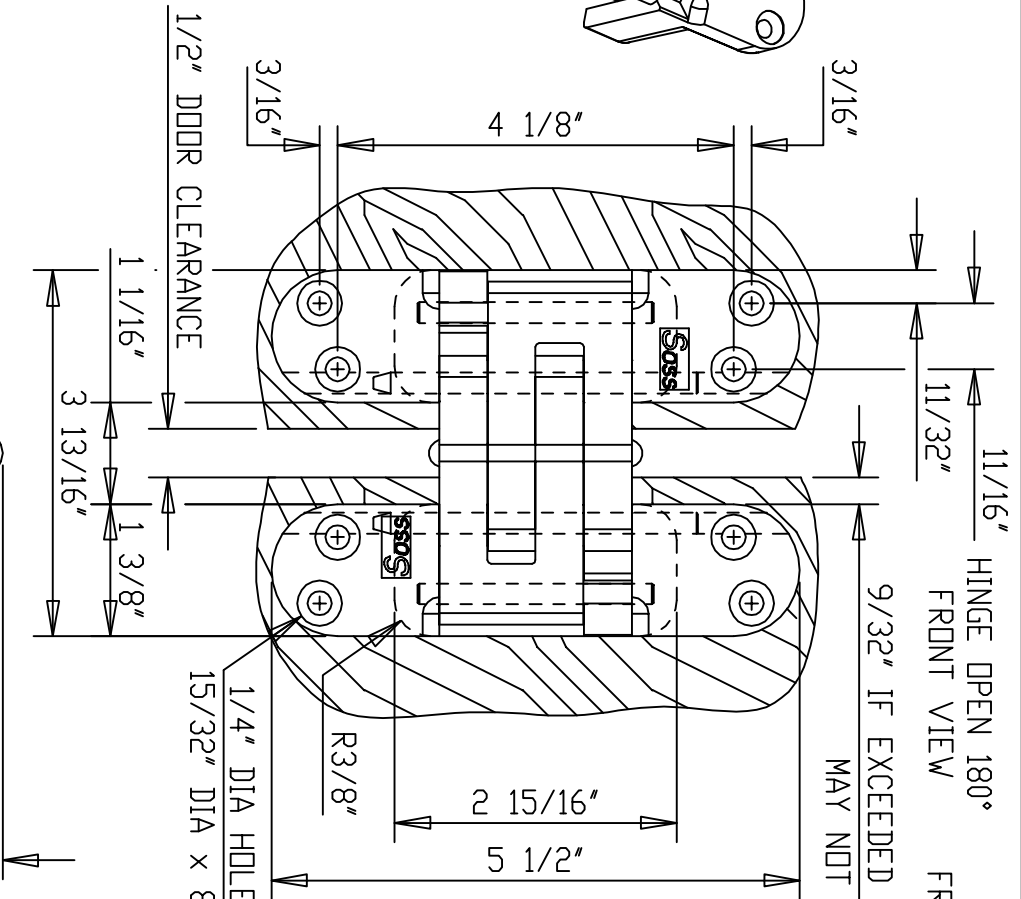
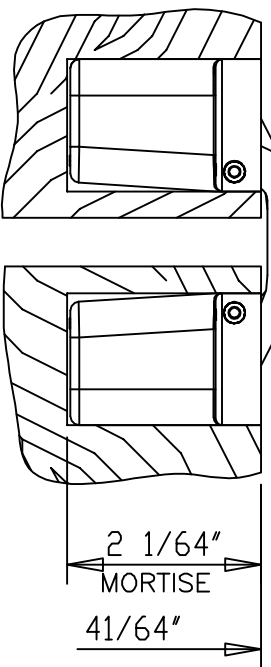


HINGE OPEN 180°
ISOMETRIC VIEW

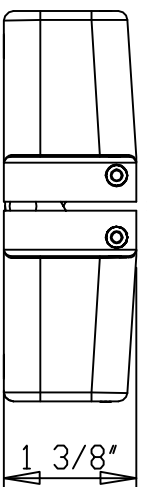


SUPPLIED:
WOOD SCREW
#12 x 1-1/2"
SPECIAL ORDER:
MACH. SCREW
#12-24 x 1"

HINGE OPEN 180°
TOP VIEW CUT AWAY



HINGE CLOSED
TOP VIEW CUT AWAY



MIN. MATERIAL THICKNESS IS 2"
DO NOT SCALE DRAWING
ALL DIMENSIONS ARE IN INCH
DOOR CLEARANCE REDUCES TO 1/64" WHILE CLOSING
SEE DWG# 4477-C IF ADDING MATERIAL TO DOOR FACE AND/OR FRAME FACE

<p>©Copyright Universal Industrial Products, Inc. One Coreway Drive Pioneer, Ohio 43354-0628</p>		SCALE: 1/2 = 1
HINGE TEMPLATE		DRAWN BY: LHH
#220H SSSS HERCULES HINGE		DATE: 10/15/18
		DRAWING # 220H