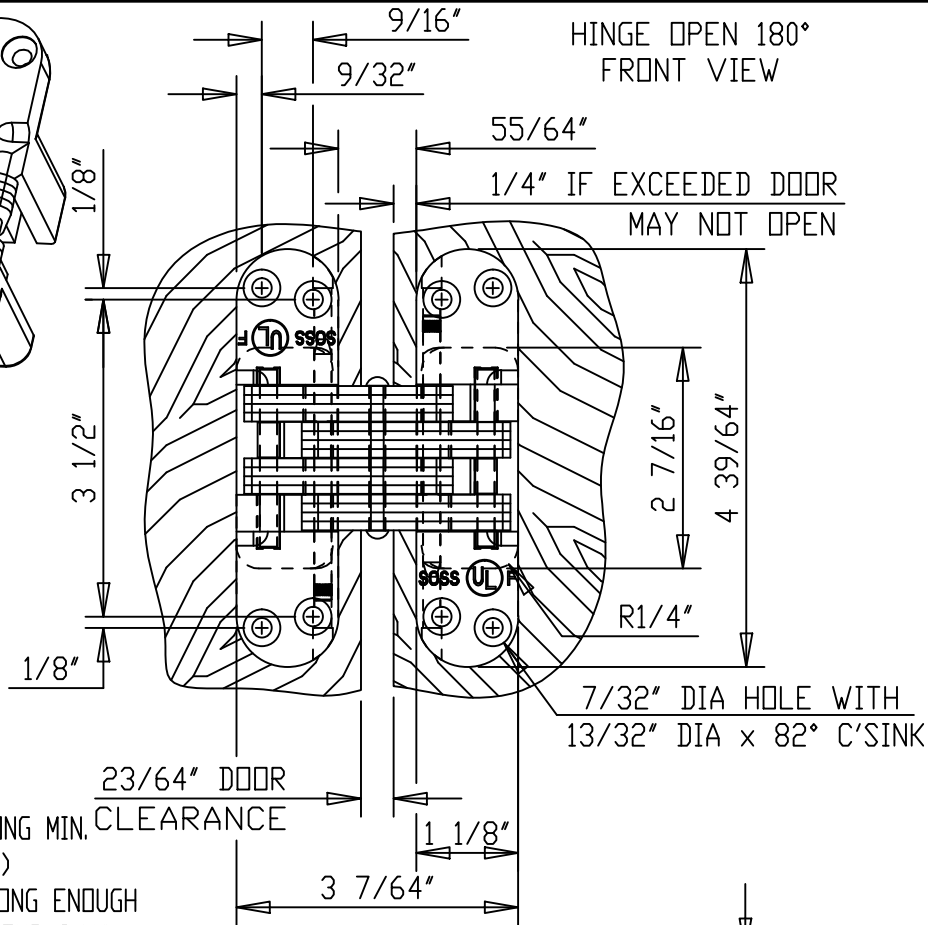
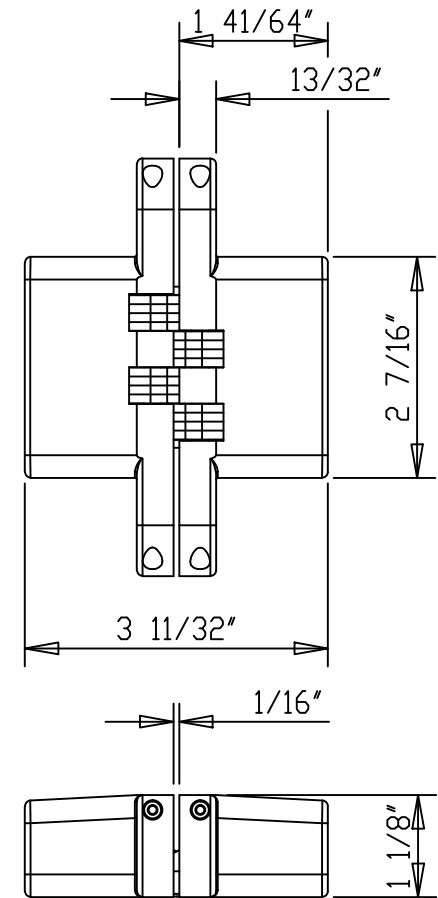


HINGE OPEN 180°  
ISOMETRIC VIEW

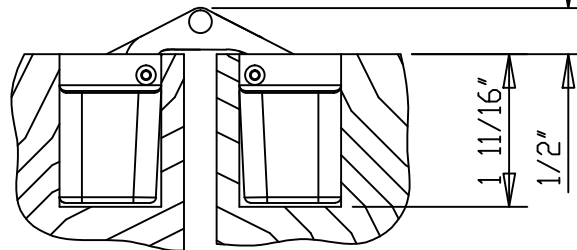


HINGE OPEN 180°  
FRONT VIEW

HINGE CLOSED  
FRONT VIEW CUT AWAY



HINGE CLOSED  
TOP VIEW CUT AWAY




HINGE OPEN 180°  
TOP VIEW CUT AWAY

**FASTENERS:**

- 20 MINUTE WOOD RATED:  
DOOR: #10 x 2-1/2" LONG MIN. CLEARANCE  
(SUPPLIED WITH HINGE)
- FRAME: #10 SCREWS, LONG ENOUGH  
TO PENETRATE BUCK STUD 3/4"
- 90 MINUTE G.P. DOOR:  
#10 SCREWS x 2" LONG MIN.  
(2-1/2" SUPPLIED)
- 3 HOUR DOOR & FRAME:  
#10-24 x 3/4" MACHINE SCREW  
(AVAILABLE WITH HINGE)

MIN. MATERIAL THICKNESS IS 1 3/4"  
DO NOT SCALE DRAWING  
ALL DIMENSIONS ARE IN INCH  
DOOR CLEARANCE REDUCES TO 1/64" WHILE CLOSING  
SEE DWG# 4477-C IF ADDING MATERIAL TO DOOR FACE AND/OR FRAME FACE

 ©Copyright 2008 Universal Industrial Products, Inc. One Corey Drive Pioneer, Ohio 43554-0628	SCALE: 1/2 = 1
	DRAWN BY: LHH
HINGE TEMPLATE	DATE: 5/01/11
SOSS INVISIBLE HINGE 418/418SS 3 HOUR FR	DRAWING # 418