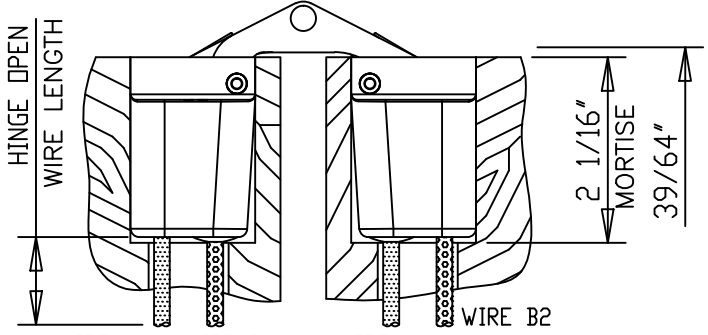


SUPPLIED:  
WOOD SCREW  
#12 x 1-1/2"  
SPECIAL ORDER:  
MACH. SCREW  
#12-24 x 1"

Power Transfer Hinge Wire Protrusion From Casting				
Dimension in Ft.	220PT1		220PT4	
	Hinge Close	Hinge Open	Hinge Close	Hinge Open
Left Wire -A1	0.81 Ft.	0.76 Ft.	1.0 Ft.	0.95 Ft.
Right Wire -A2	0.81 Ft.	0.71 Ft.	4 Ft.	3.89 Ft.
Left Wire -B1	0.81 Ft.	0.71 Ft.	1 Ft.	0.95 Ft.
Right Wire -B2	0.81 Ft.	0.76 Ft.	4 Ft.	3.95 Ft.

MIN. MATERIAL THICKNESS IS 2"  
DO NOT SCALE DRAWING  
ALL DIMENSIONS ARE IN INCH  
DOOR CLEARANCE REDUCES TO 1/64" WHILE CLOSING  
SEE DWG# 4477-C IF ADDING MATERIAL TO DOOR FACE AND/OR FRAME FACE



Copyright 2008 Universal Industrial Products, Inc. One Coreway Drive Pioneer, Ohio 43554-0628	SCALE: 1/2" = 1"
	DRAWN BY: LHH
HINGE TEMPLATE	DATE: 11/26/13
#220 PT SOSS INVISIBLE HINGE	DRAWING # 220-PT