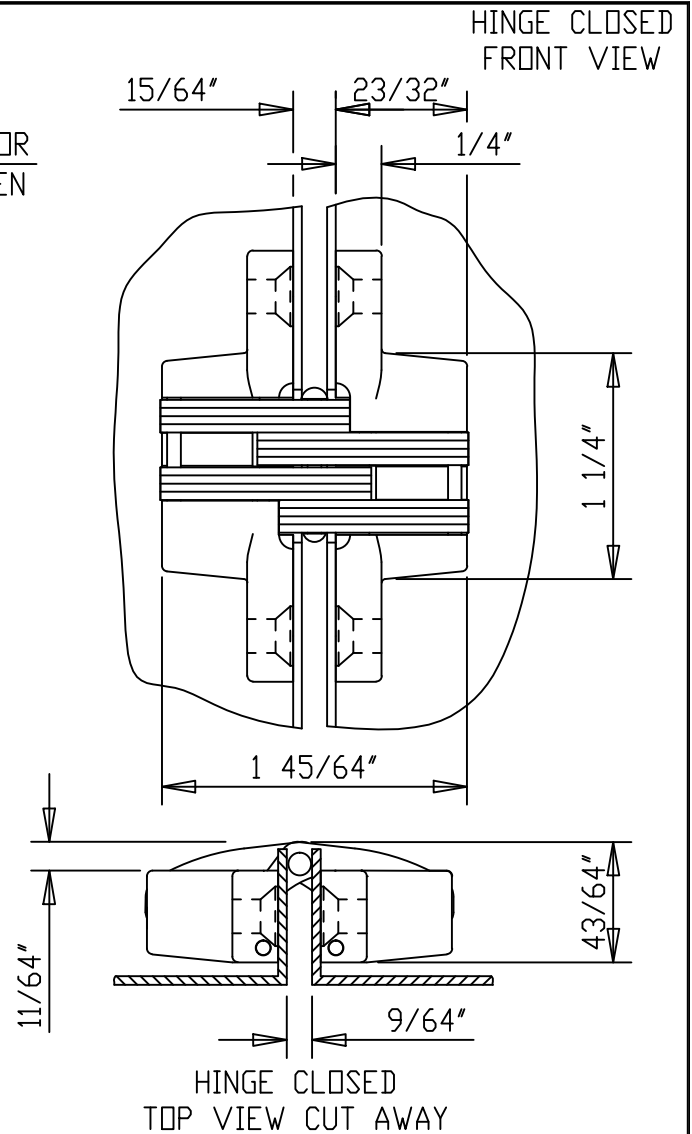
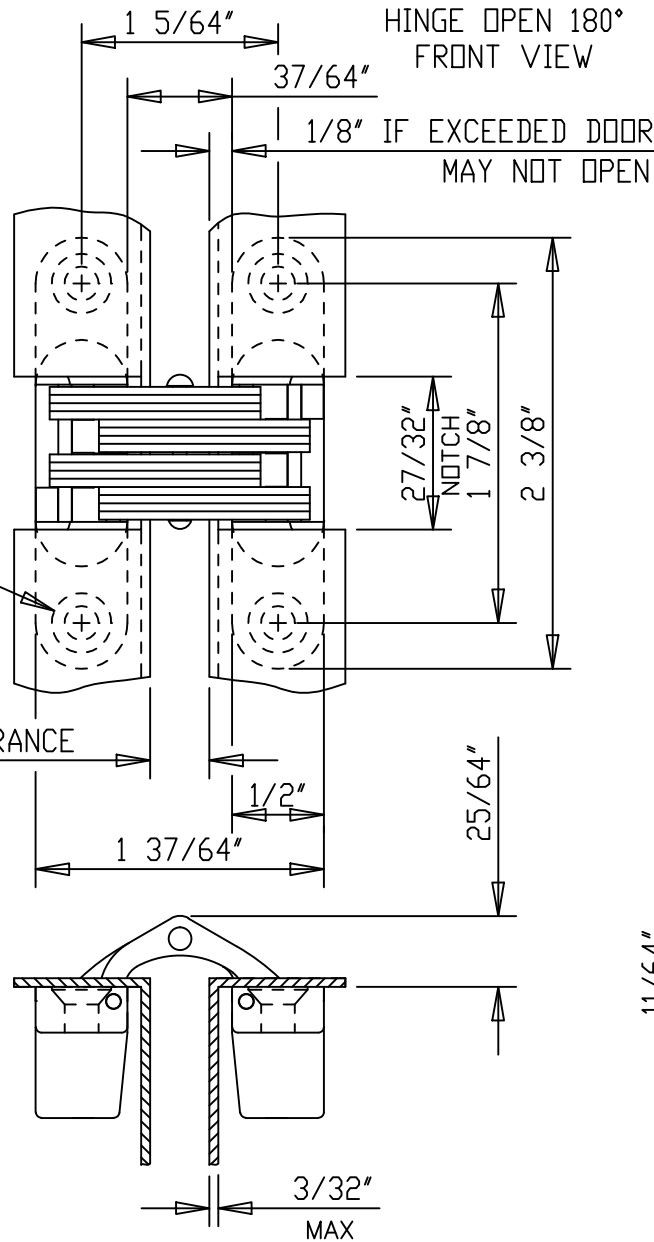


HINGE OPEN 180°
ISOMETRIC VIEW

3/16" DIA HOLE WITH
21/64" DIA x 82° C'SINK

21/64" DOOR CLEARANCE



SCREWS NOT SUPPLIED, BUT
#7 x 1-1/4" WOOD SCREWS
OR #8-32 x 5/8" MACH.
SCREWS ARE AVAILABLE

DO NOT SCALE DRAWING
ALL DIMENSIONS ARE IN INCH

Copyright 2008 Universal Industrial Products, Inc. One Coreway Drive Pioneer, Ohio 43554-0628	SCALE: 1 = 1
	DRAWN BY: LHH
HINGE TEMPLATE	DATE: 5/01/11
#205 SOSS INVISIBLE HINGE	DRAWING # 205