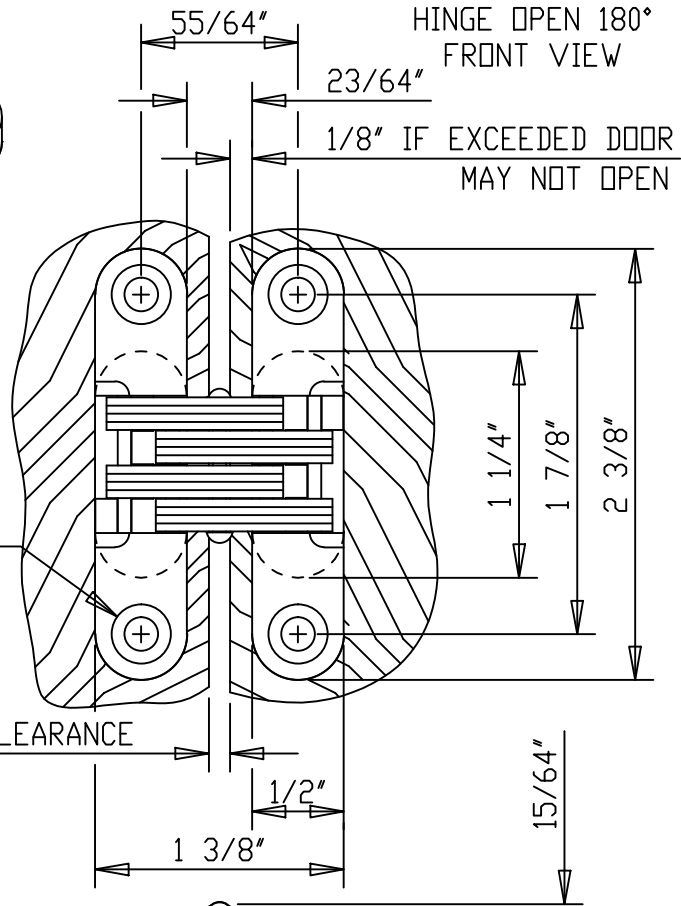


HINGE OPEN 180°
ISOMETRIC VIEW

3/16" DIA HOLE WITH
21/64" DIA x 82° C'SINK

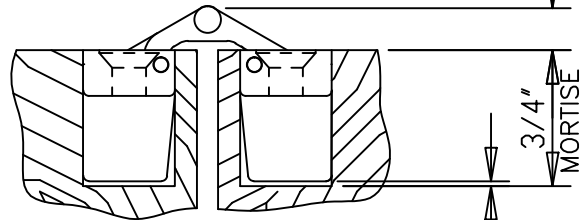
7/64" DOOR CLEARANCE

SUPPLIED:
WOOD SCREW
#7 x 1-1/4"
SPECIAL ORDER:
MACH. SCREW
#8-32 x 5/8"



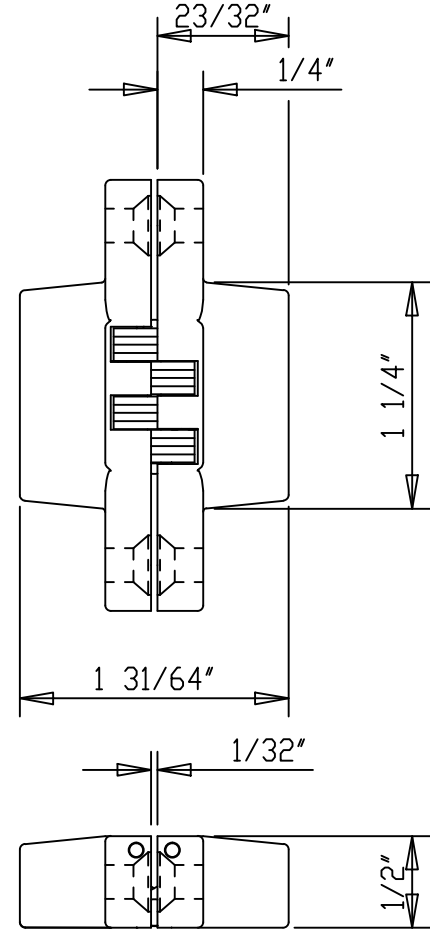
HINGE OPEN 180°
FRONT VIEW

1/8" IF EXCEEDED DOOR
MAY NOT OPEN




HINGE OPEN 180°
TOP VIEW CUT AWAY

HINGE CLOSED
FRONT VIEW CUT AWAY



HINGE CLOSED
TOP VIEW CUT AWAY

MIN. MATERIAL THICKNESS IS 3/4"
DO NOT SCALE DRAWING
ALL DIMENSIONS ARE IN INCH
DOOR CLEARANCE REDUCES TO 1/64" WHILE CLOSING
SEE DWG# 4477-C IF ADDING MATERIAL TO DOOR FACE AND/OR FRAME FACE

 ©Copyright 2008 Universal Industrial Products, Inc. One Coreway Drive Pioneer, Ohio 43554-0628	SCALE: 1 = 1
	DRAWN BY: LHH
HINGE TEMPLATE	DATE: 5/01/11
#204 SOSS INVISIBLE HINGE	DRAWING # 204